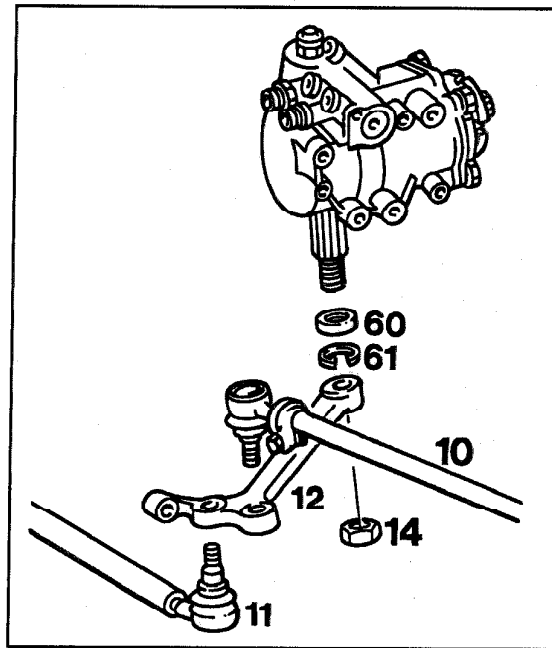


46-512 R and R pitman arm and lower housing cover seal



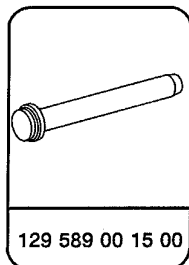
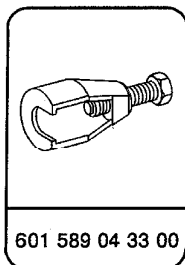
P46-5054-15

- | | |
|---|---|
| Tie rod (10) at pitman arm (12) | install (46-540) (step 1). |
| Center link (11) at pitman arm (12) | install (46-550) (step 2). |
| Self-locking nut (14) | screw off steering shaft, screw on and replace
160-200 Nm (step 3). |
| Pitman arm (12) | pull off, install, use puller 601 589 04 33 00.
Observe installation position (steps 4 and 5). |

46-512 R and R pitman arm and lower housing cover seal

Snap ring (61)	remove, install (step 6).
Seal (60)	press out, install and replace. Use punch 129 589 00 15 00 (step 6).

Special tools

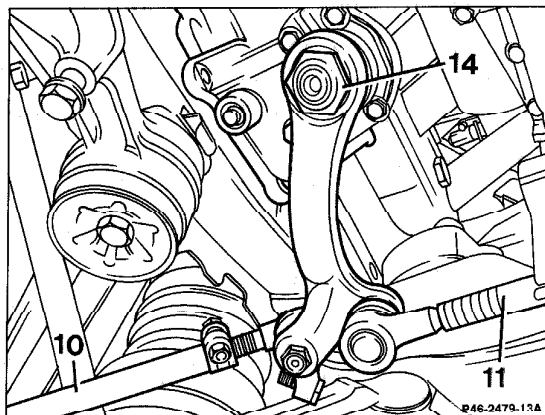


Removal, installation

- 1 Remove tie rod (10) mat pitman arm, install (46-540).
- 2 Remove center link (11) if at pitman arm, install (46-550).
- 3 Screw self-locking nut (14) off of steering shaft.

Installation note

Replace self-locking nut.
Tightening torque 160-200 Nm.

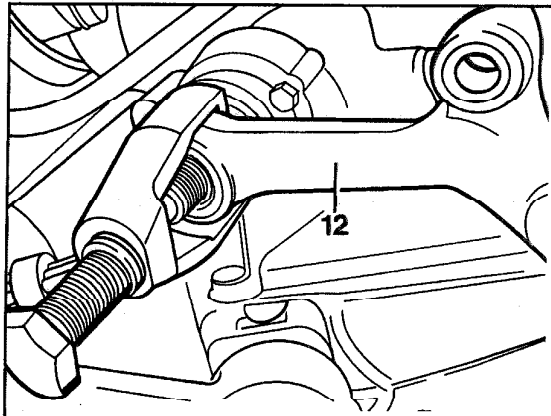


46-512 R and R pitman arm and lower housing cover seal

4 Pull pitman arm (12) off of steering shaft with puller 601 589 04 33 00.

Note

Check mark on pitman arm and steering shaft, mark if required.

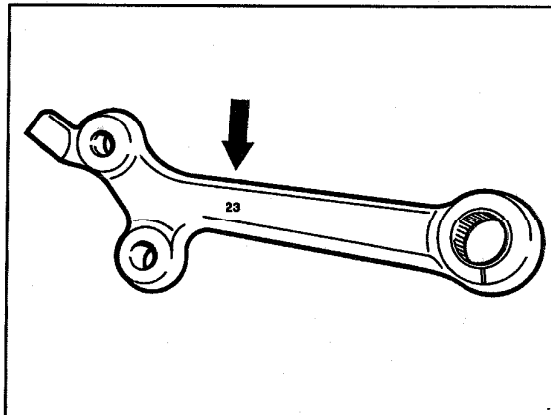


P46-5051-13

5 The pitman arm cannot be checked with standard workshop equipment.

In cases of doubt, particularly following an accident, replace steering gear together with pitman arm (see 46-140).

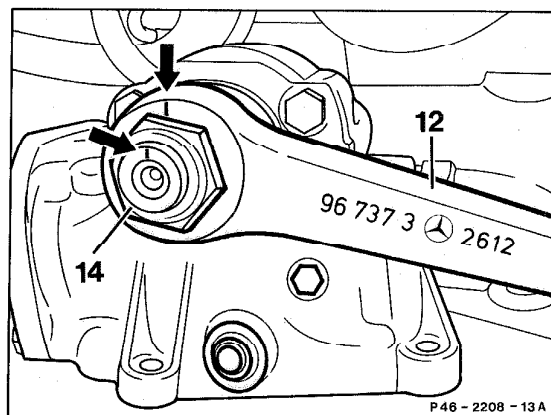
Check pitman arm for correct code (arrow).



P46-2390-13

Installation note

Slide pitman arm (12) onto steering shaft; the mark (arrow) on the pitman arm (12) should be aligned with the mark (arrow) on the steering shaft.



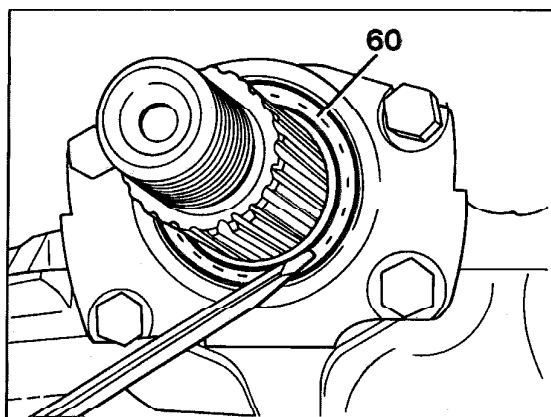
P46 - 2208 - 13 A

P46-2208-13

46-512 R and R pitman arm and lower housing cover seal

Replace lower housing cover seal

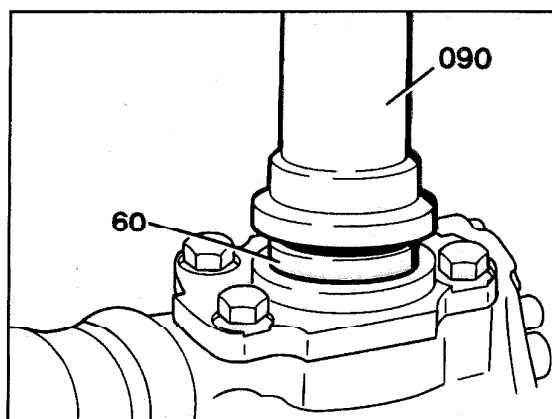
6 Remove snap ring. Press seal (60) out with aid of screwdriver. Assure that steering shaft is not damaged.



P46-5049-13

Installation note

Press new seal (60) into steering gear cover against stop with punch (090)
129 589 00 15 00. Do not damage seal lips when pressing seal over splines.



P46-5050-13